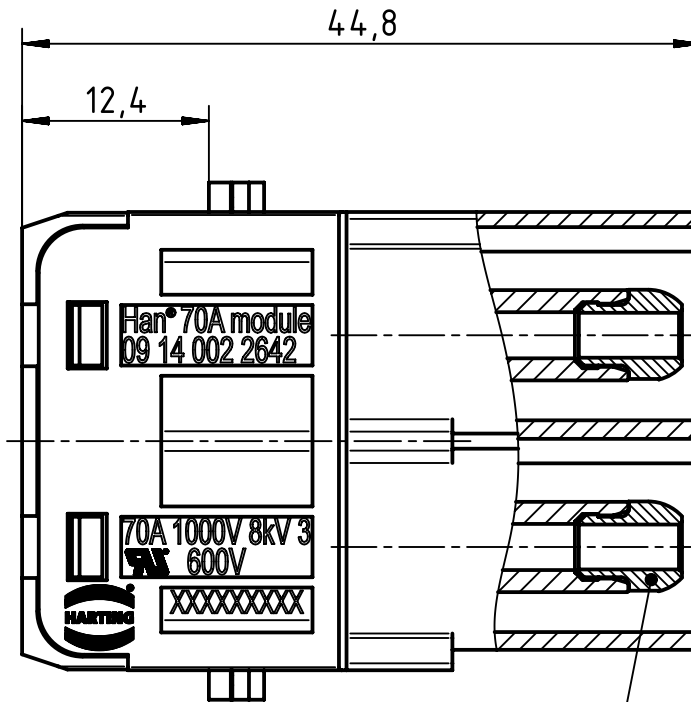
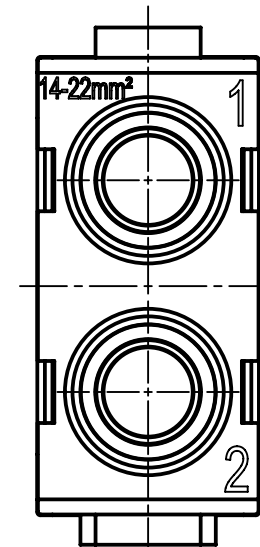


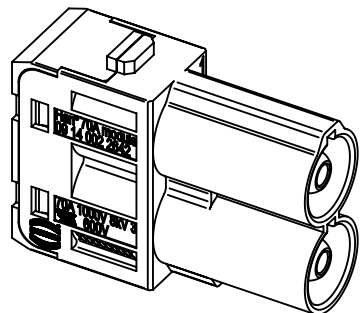
SW2,5



finger safe by plastic cap



for stranded wire 14-22mm², AWG 6-4, fine wire



	All Dimensions in mm Original Size DIN A4	Scale 2:1		Free size tol.		Ref.	
						Sub.	
	All rights reserved Department EL PD - DE	Created by HELLMANN	Inspected by NICHTERLEIN	Standardisation TIEMANNA	Date 2017-12-07	State Final Release	
		Title Han 70A axial module, male 14-22 mm ²					Doc-Key / ECM-Nr. 100173715/UGD/009/C 500000128872
HARTING Electric GmbH & Co. KG D-32339 Espelkamp		Type TB	Number 09 14 002 2642			Rev. C	Page 1/1